

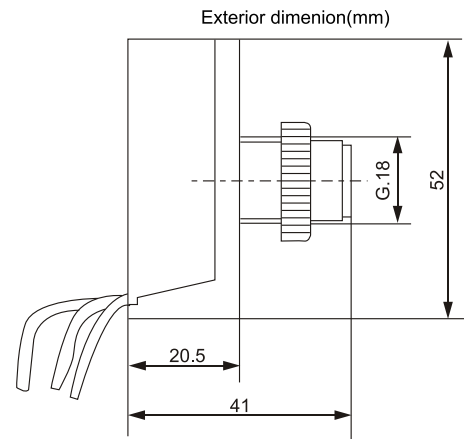
LLAS8 Photo Controls



LLAS8

LLAS8

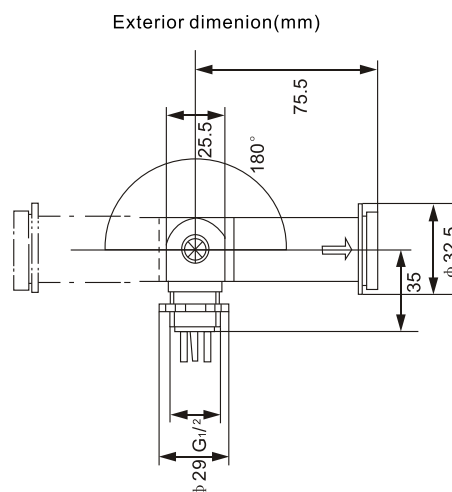
- ⊙ Thermal photo control
- ⊙ Rated voltage: 120V/220V/~/ (applicable 105V,127V,230V,250V)
- ⊙ Rated frequency: 50/60Hz
- ⊙ Rated current: 10A 15A
- ⊙ Load: 1000W,1200W TUNGSTEN
- ⊙ Light level: on/off; 10-16LUX/50-80LUX,20-30LUX/100-150LUX
- ⊙ Acting time: 30" ~180"
- ⊙ Temperature range: -40°C ~+70°C
- ⊙ Electrical life: >6500CYCLES



LLAS11 Photo Controls

LLAS11

- ⊙ Thermal photo control
- ⊙ Rated voltage: 120V/220V/~/ (applicable 105V,127V,230V,250V)
- ⊙ Rated frequency: 50/60Hz
- ⊙ Rated current: 10A 15A
- ⊙ Load: 1000W,1200W TUNGSTEN
- ⊙ Light level: on/off; 10-16LUX/50-80LUX, 20-30LUX/100-150LUX
- ⊙ Acting time: 30" ~180"
- ⊙ Temperature range: -40°C ~+70°C
- ⊙ Electrical life: >6500CYCLES



LLAS11